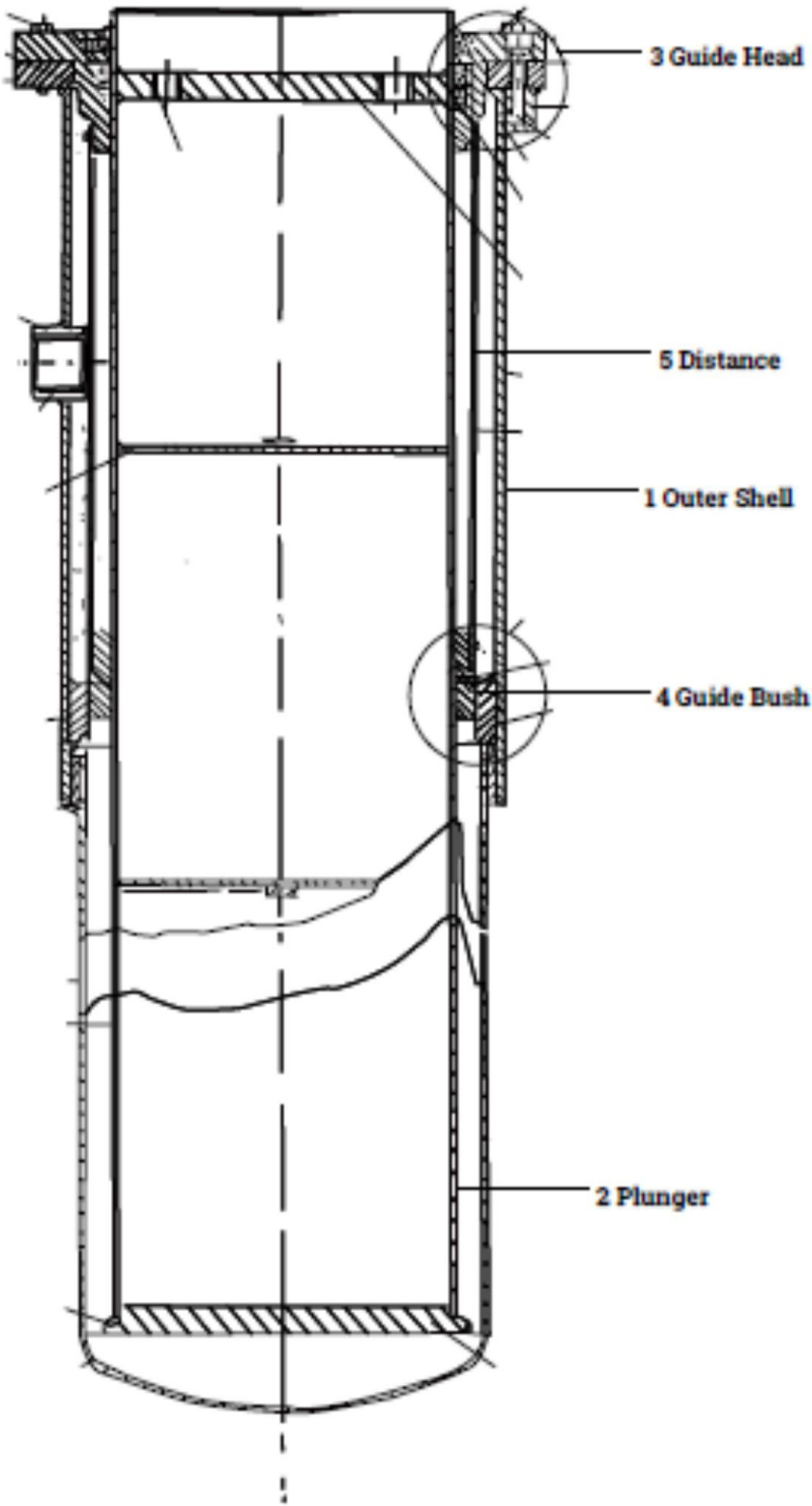


INSTALLATION AND OPERATING INSTRUCTIONS

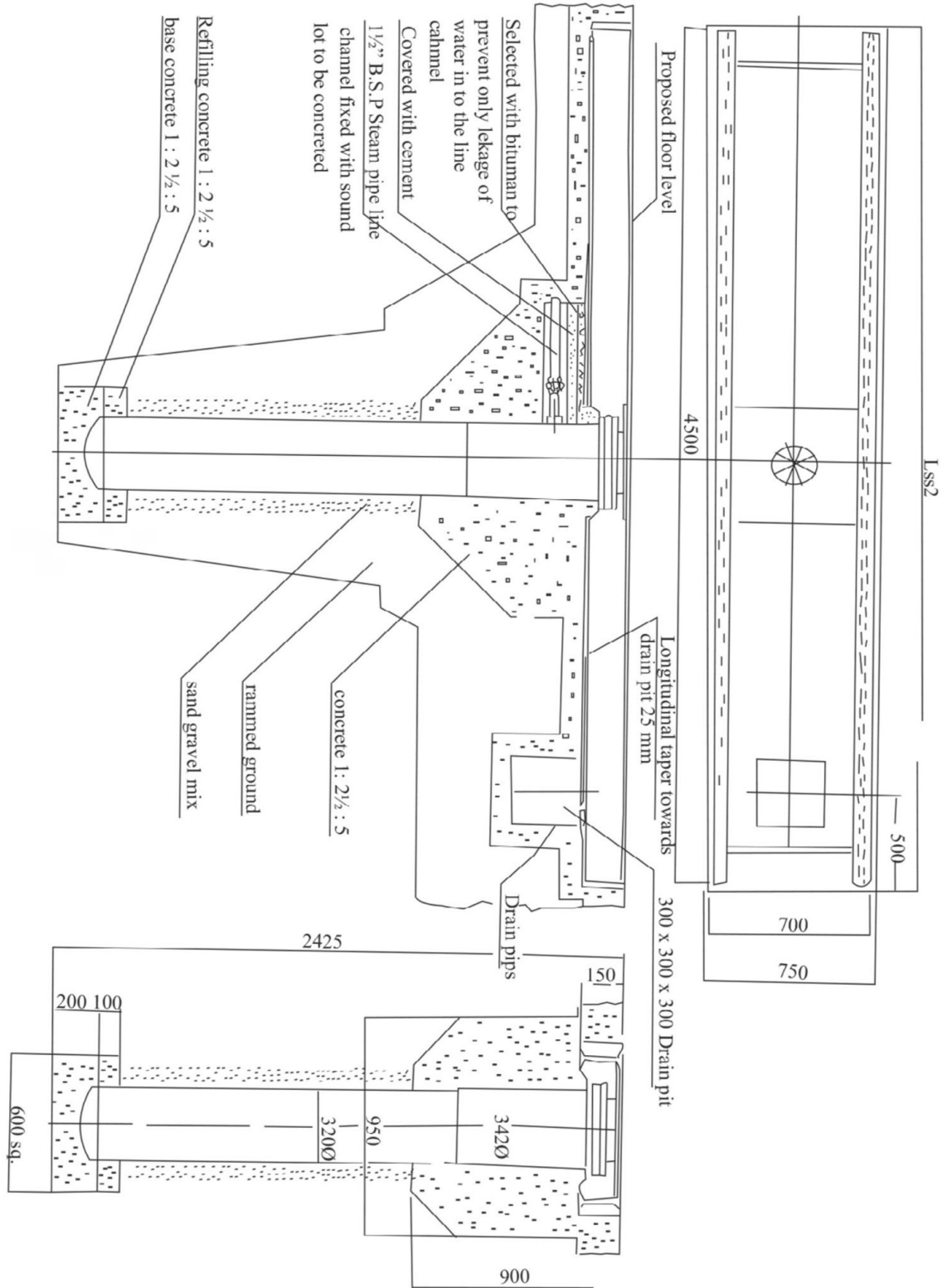
PART LIST

Sr. No.	Particulars	Nos.	Code No.
1	Plunger 270 Dia	1	
2	Cylinder assy	1	
3	Oil Tank	1	
4	Guide Head	1	
5	Guide bush	1	
6	Distant plate	1	
7	Air Control Valve	1	
8	Ball Valve 1 ½ "BSP	1	
9	O' Ring	1	
10	Gland ring	1	
11	Wiper ring	1	
12	1"BSP Oil Level Indicator	1	
13	1 ½ "BSP Dummy Plug	1	
14	Hex bolt M12x50	2	
15	Air Vent bolt M 12x20	1	
16	Copper Washer M12	2	
17	Hex bolt M20x100	8	
18	Hex bolt M8x16	8	
19	Spring washer M8	8	
20	Hex. bolt M16x50	12	
21	Spring washer M16	12	

INSTALLATION AND OPERATING INSTRUCTIONS

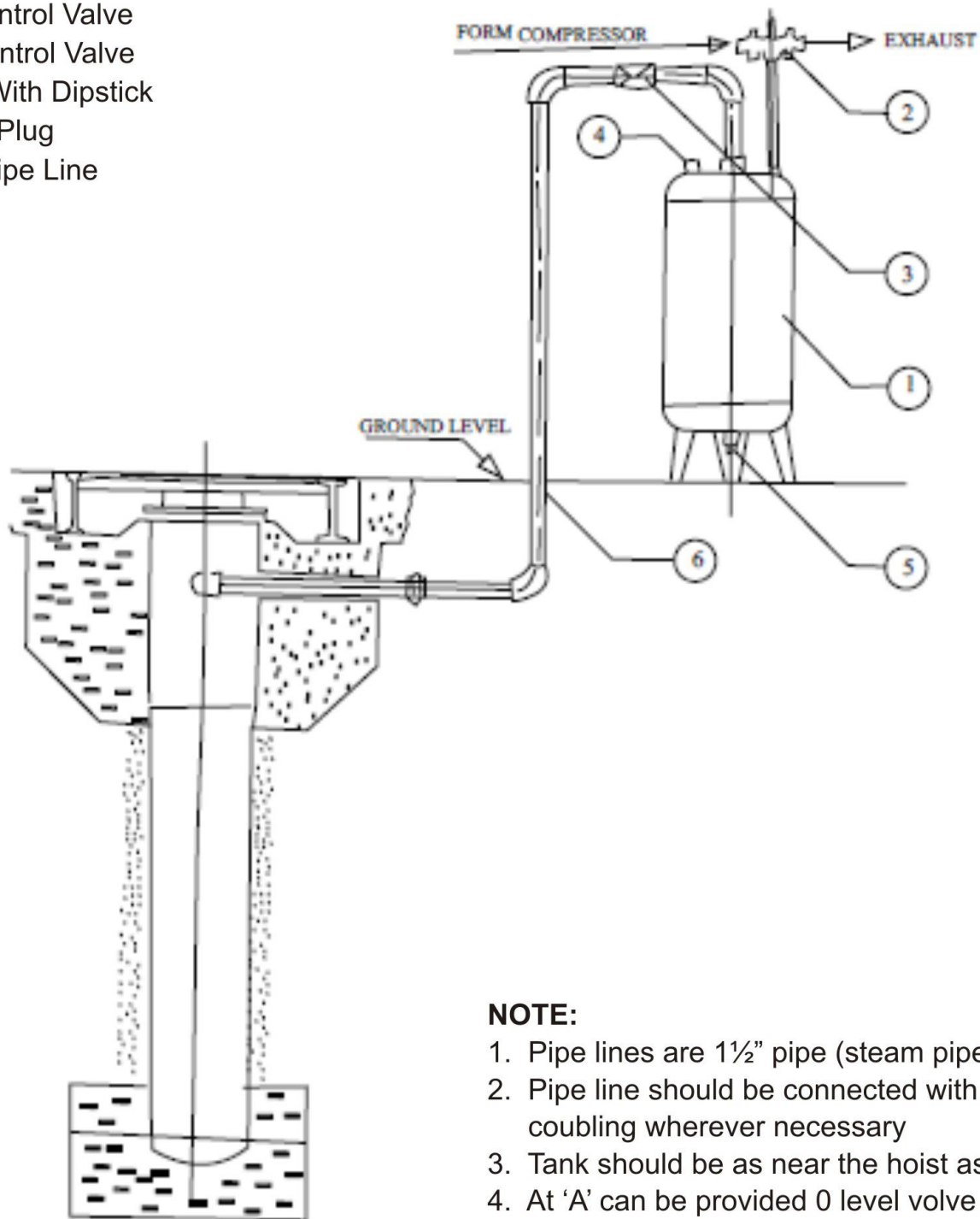


FOUNDATION DRAWING HYDRIODIC SINGLE POST HOIST



PIPE LINES LAYOUT OF 0270 HOIST

1. I.O.R Tank Capacity 150 Liters
2. Air Control Valve
3. Oil Control Valve
4. Plug With Dipstick
5. Drain Plug
6. 1½" Pipe Line



NOTE:

1. Pipe lines are 1½" pipe (steam pipe)
2. Pipe line should be connected with bonds & coubling wherever necessary
3. Tank should be as near the hoist as possible
4. At 'A' can be provided 0 level volve 1 so hot exact slop of lift can be effected
5. Use suitable fitting the 1" oil control volve on the 1½" pipe line